

Window Quilt®

Winter, Summer. . .Window Quilt Delivers Energy Savings Year Round!

Product Descriptions

Shades

Self contained, fully retractable, sealed on all four sides. Available in Room Darkening or Light Filtering configurations. Optional matching valance.

400 Series: Surface mount on the window casing with side sealing tracks. Smooth operating, low profile design. Available space above the window is a consideration.

100 Series: Same mounting system, but best choice when space above the window is limited.

Pattern: Unidirectional, Newport

Color: Ecru (off-white)

Sizes: Up to 24" to 104" wide in 1" increments. Length up to 144".

Installation: See page 2 for installation requirements, clearances, and component diagram.



*Newport pattern in ecru.
(color may not be exact
due to screen variations)*



**Nothing
beats
our 5-
layer
barrier!**

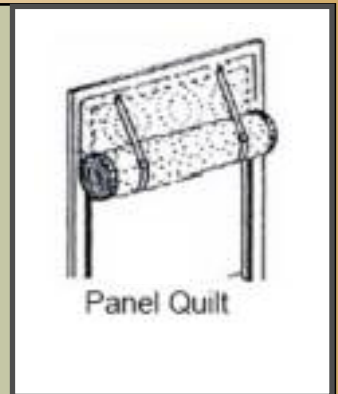
Panel Quilts

Moveable insulation, velcro secured on all sides, manual roll-up. A less expensive, but just as effective option. Available in Room Darkening or Light Filtering configurations.

Pattern: Unidirectional, Newport

Color: Ecru (off-white)

Sizes: Up to 24" to 104" wide in 1" increments. Unlimited length.



Panel Quilt

Parts

Maintenance parts, including many discontinued items.

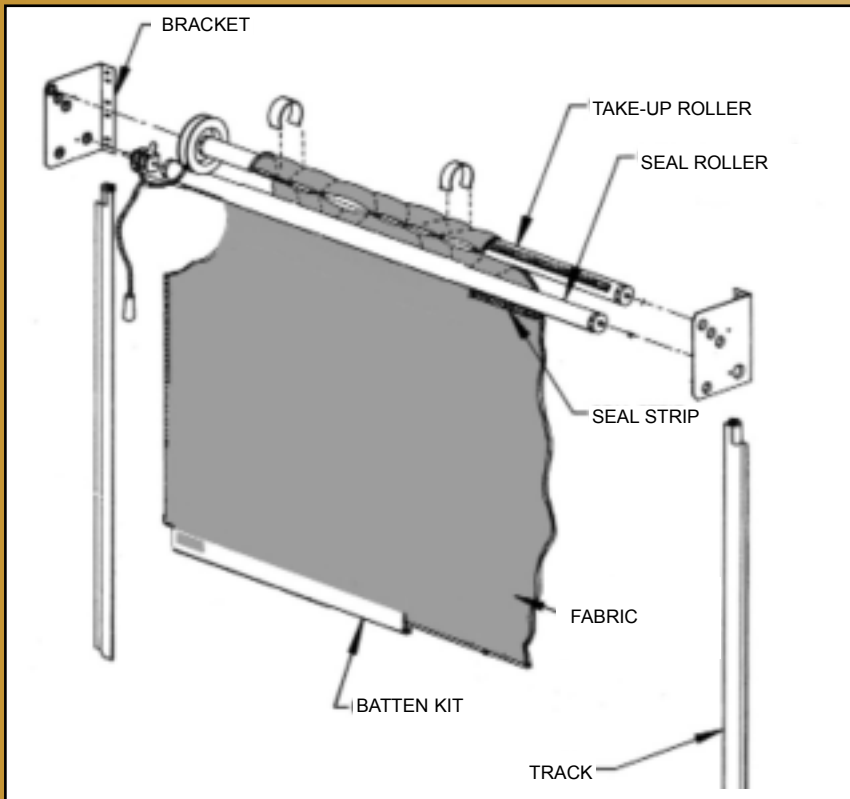
Legacy quilts, some limited stock of discontinued colors and patterns



Great for Sliders and Bay Windows of All Kinds!

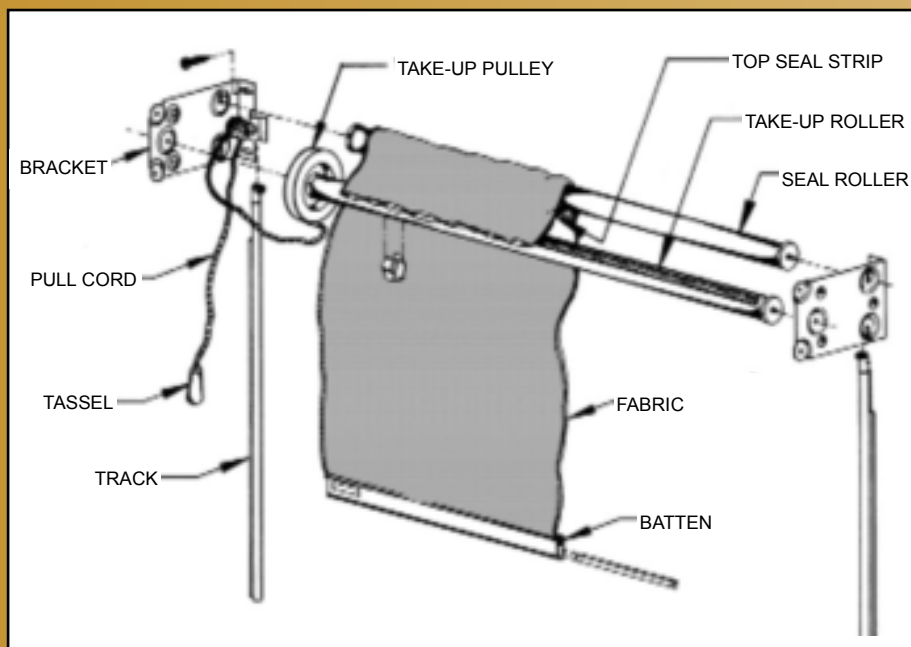
Window Quilt®

- Installation
- Clearances
- Components



400 Series

Window Height (up to)	Mounting bracket to ceiling clearance required	Projection into room
48"	1/2"	5-1/4"
72"	1-1/2"	5-3/4"
84"	1-3/4"	6"
120"	2-3/4"	6-3/4"
144"	3-1/4"	7-1/4"



100 Series

Window Height (up to)	Mounting bracket to ceiling clearance required	Projection into room
48"	1/2"	6-3/4"
72"	1-1/2"	6-3/4"
84"	1-3/4"	7"
120"	1"	8-1/4"
144"	1"	8-1/2"